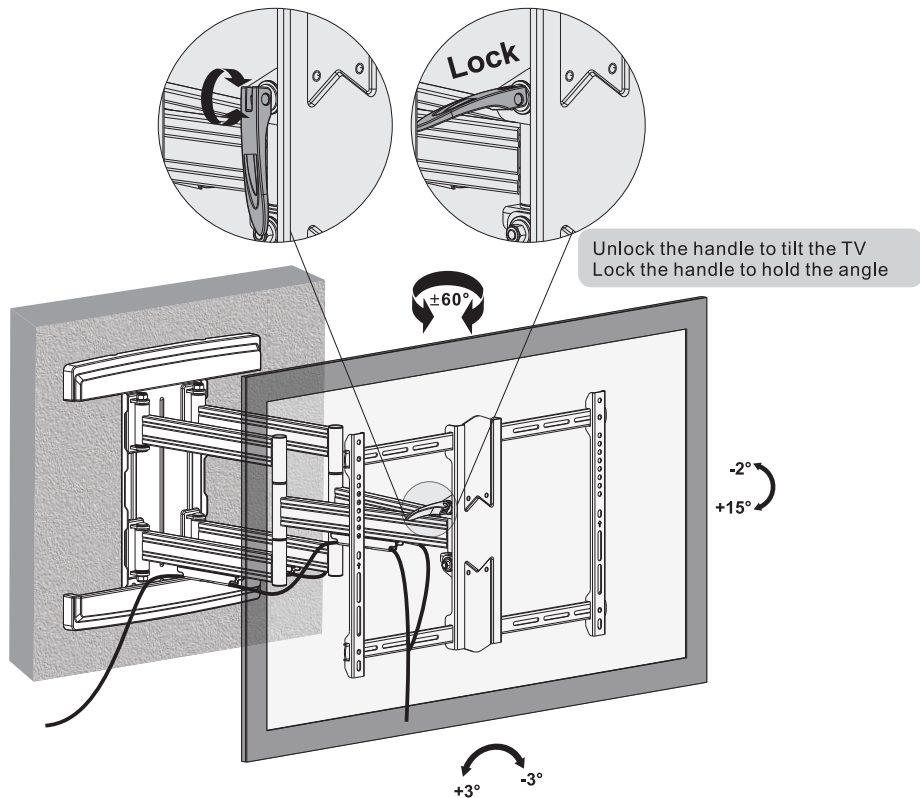


### 8. Adjusting the TV to Desired Position



#### Maintenance

- Check that the bracket is secure and safe to use at regular intervals (at least every three months).
- Please contact your dealer if you have any questions.

# EZYmount

# CANOHM

4/30 Prohasky Street  
Port Melbourne, Victoria  
3207 Australia

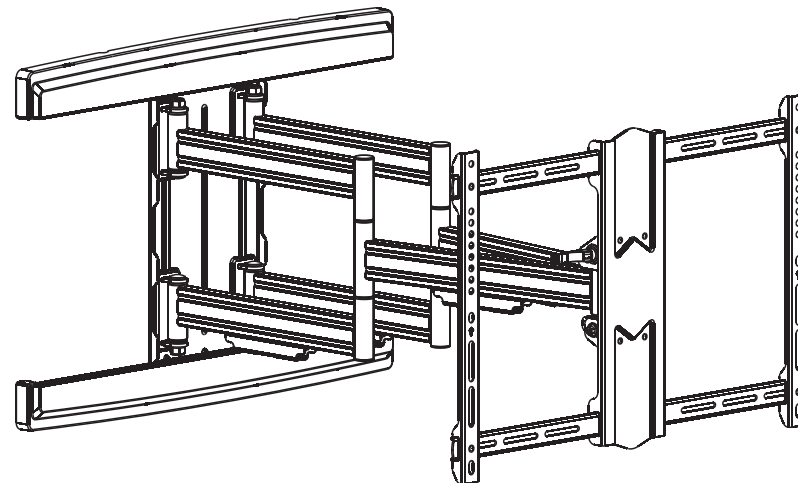
Telephone 03 9644 7888  
Facsimile 03 9646 7366  
Email [sales@canohm.com.au](mailto:sales@canohm.com.au)  
[www.canohm.com.au](http://www.canohm.com.au)

Please dispose of this packaging  
in a responsible manner – recycle  
cardboard/plastic wherever possible.

# EZYmount

## Installation Instructions

### Full Motion TV Wall Mount



**CAUTION:** DO NOT EXCEED  
RATED LISTED WEIGHT. SERIOUS  
INJURY OR PROPERTY DAMAGE  
MAY OCCUR!

### VLM-6600



200x100/200x200  
300x200/300x300  
400x200/400x300  
400x400/600x400

100"  
MAX



70kg

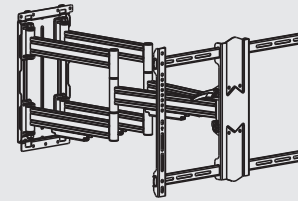
**NOTE:** Read the entire instruction manual before you start installation and assembly.

## WARNING

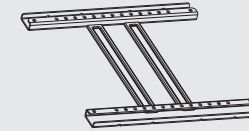
- Do not begin the installation until you have read and understood all the instructions and warnings contained in this installation sheet. If you have any questions regarding any of the instructions or warnings, please contact your local distributor.
- This mounting bracket was designed to be installed and utilised **ONLY** as specified in this manual. Improper installation of this product may cause damage or serious injury.
- This product should only be installed by someone with good mechanical ability who has basic building experience and fully understands this manual.
- Make sure that the supporting surface will safely support the combined weight of the equipment and all attached hardware and components.
- If mounting to wood wall studs, make sure that mounting screws are anchored into the centre of the studs. The use of a stud finder is highly recommended.
- Always use an assistant or mechanical lifting equipment to safely lift and position the equipment.
- Tighten screws firmly, but do not over tighten. Over tightening can cause damage to the items, This greatly reduces their holding power.
- This product is intended for indoor use only. Using this product outdoors could lead to product failure and personal injury.

## Component Checklist

**IMPORTANT:** Ensure that you have received all parts according to the component checklist prior to installation. If any parts are missing or faulty, telephone your local distributor for a replacement.



TV mount (x1)  
A



Wall plate (x1)  
B



Decorative cover (x2)  
C



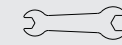
locking component (x2)  
D



M6x15 (x7)  
E



Washer (x7)  
F



Wrench (x1)  
G



Allen key (x1)  
H

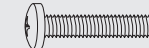
### Package M



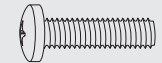
M5x14 (x4)  
M-A



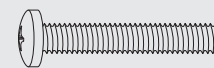
M6x14 (x4)  
M-B



M6x30 (x4)  
M-C



M8x30 (x4)  
M-D



M8x50 (x4)  
M-E



washer (x4)  
M-F

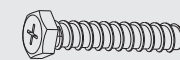


small spacer (x8)  
M-G



big spacer (x8)  
M-H

### Package W



ST8x90 (x6)  
W-A

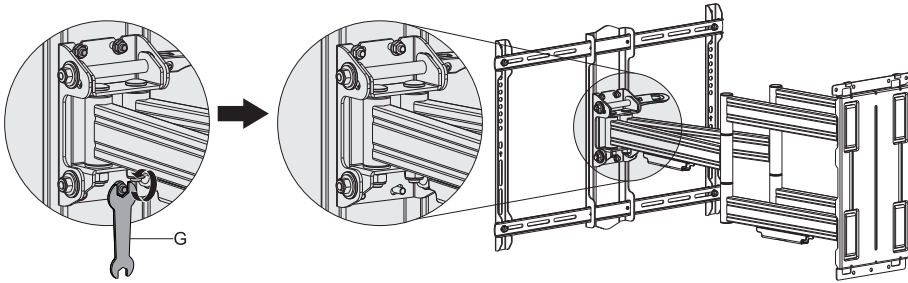


concrete anchor (x6)  
W-B

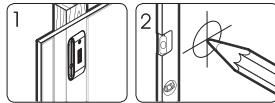
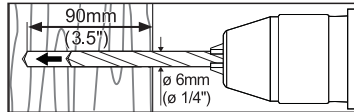
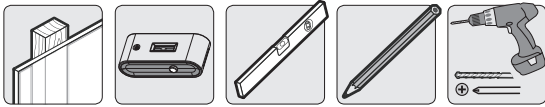


washer (x6)  
W-C

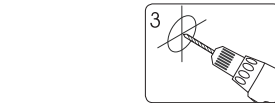
## 1. Detaching the VESA Plate



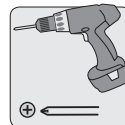
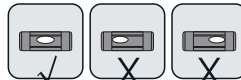
## 2a. Installing the Wall Plate (for wood stud wall)



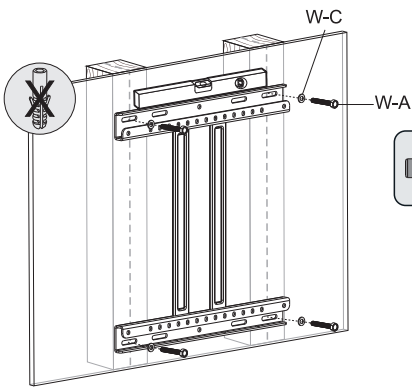
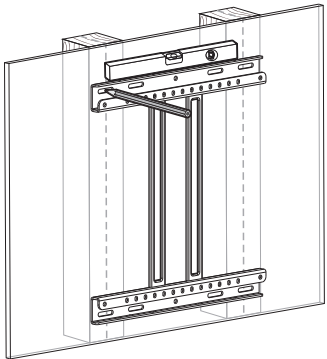
Find and mark the exact location of mounting holes



Drill pilot holes



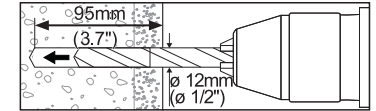
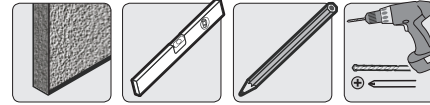
Screw the wall mount onto the wall



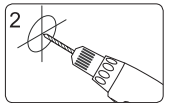
## ! WARNING

- Make sure that mounting screws are anchored into the centre of the studs. The use of a stud finder is highly recommended.
- Installers are responsible to provide hardware for other types of mounting situations.
- Installers must verify that the supporting surface will safely support the combined weight of the equipment and all attached hardware and components.

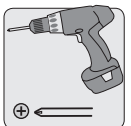
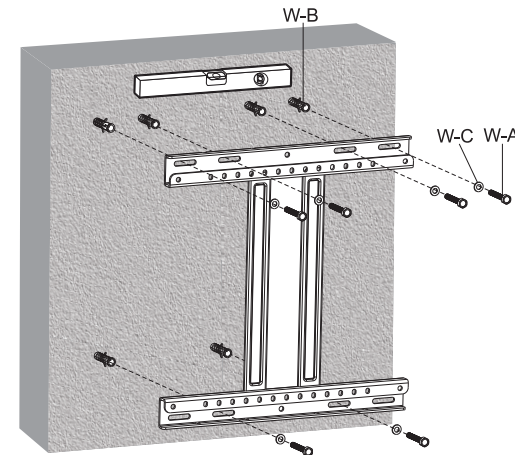
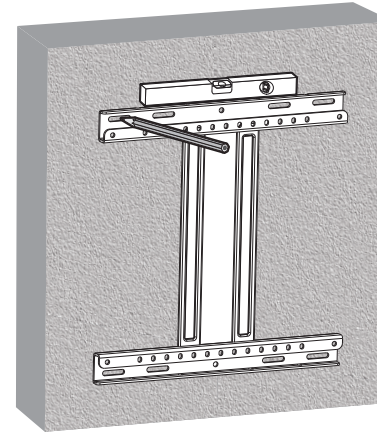
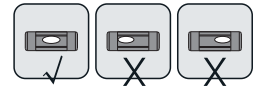
## 2b. Installing the Wall Plate (for solid brick and concrete)



Mark the exact location of mounting holes



Drill pilot holes

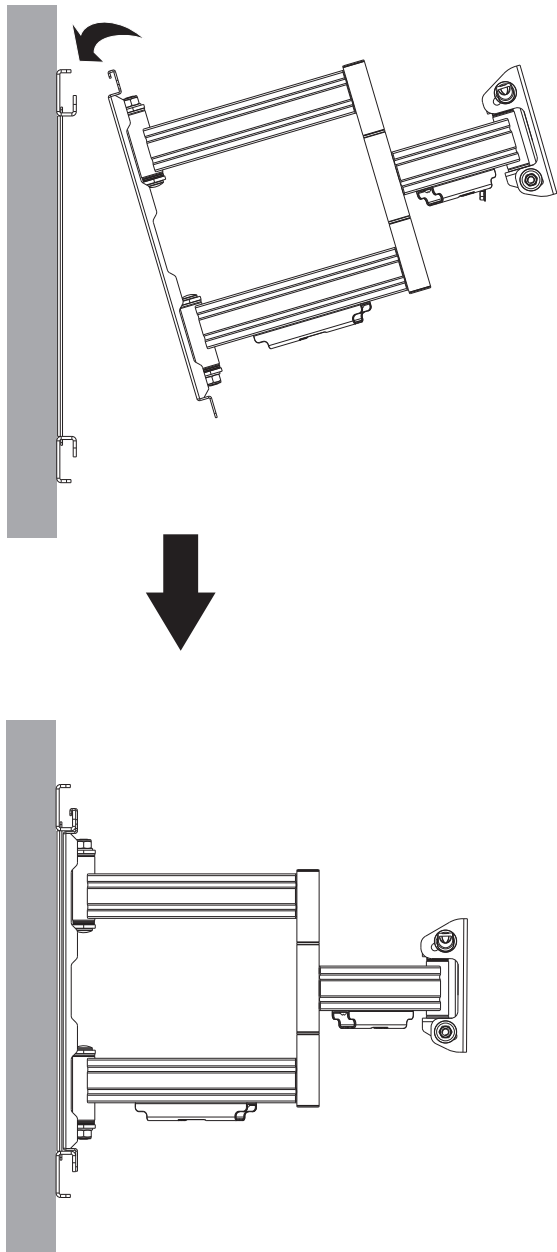


Screw the wall mount onto the wall

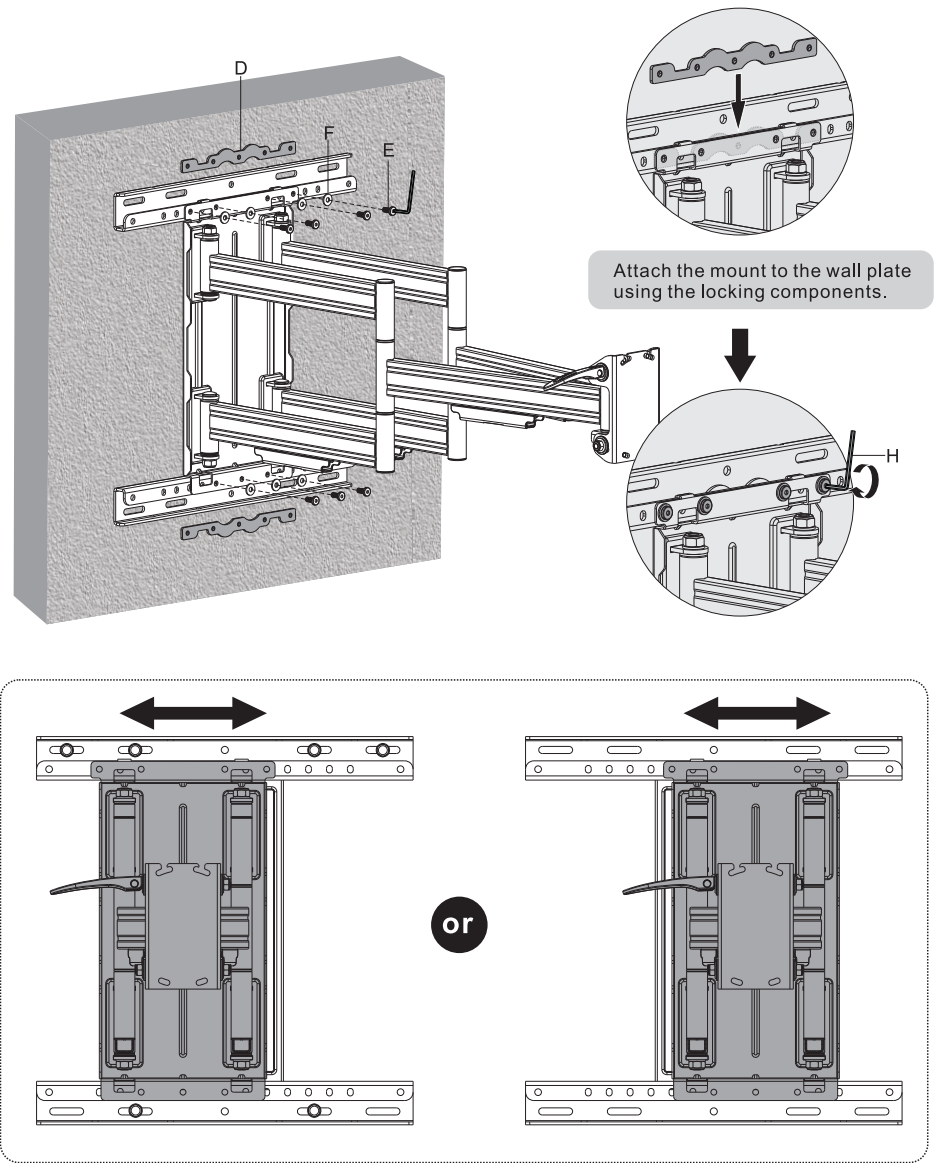
## ! WARNING

Installers must verify that the supporting surface will safely support the combined weight of the equipment and all attached hardware and components.

### 3. Hooking the Mount onto the Wall Plate

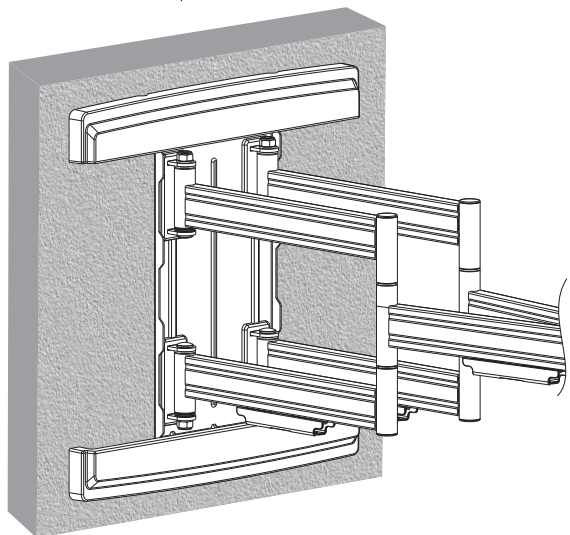
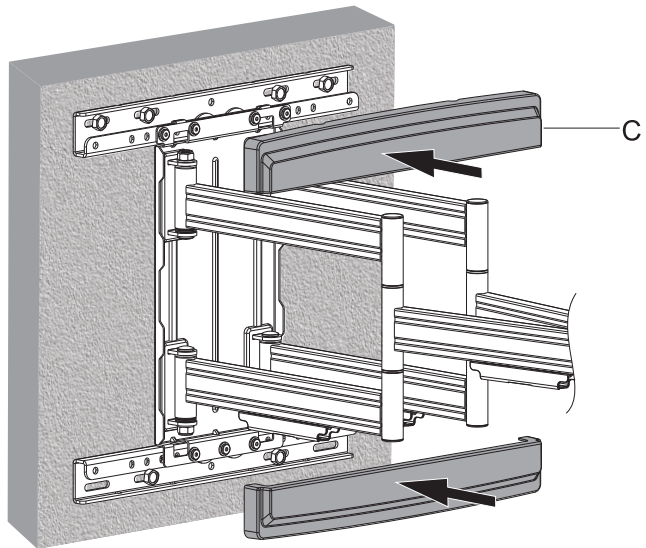


### 4. Attaching the Mount



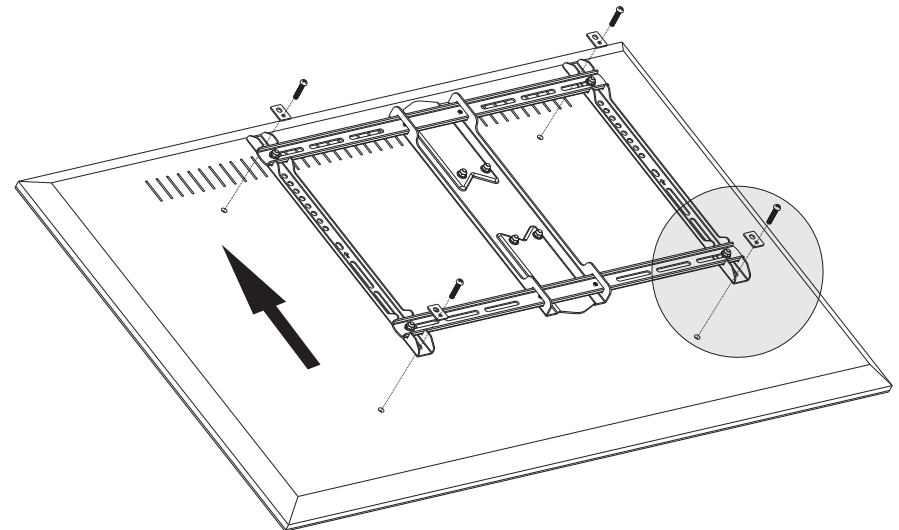
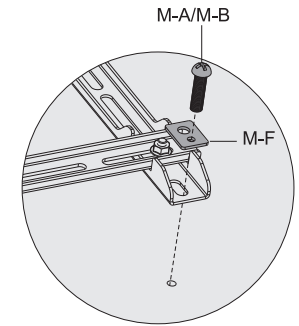
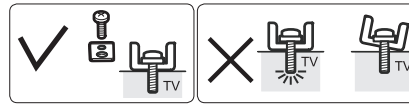
Note: Slide the mount along the wall plate to the desired position before fixing.

## 5. Installing the Decorative Covers

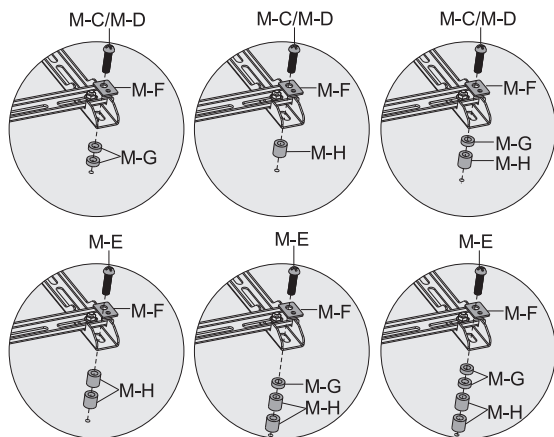
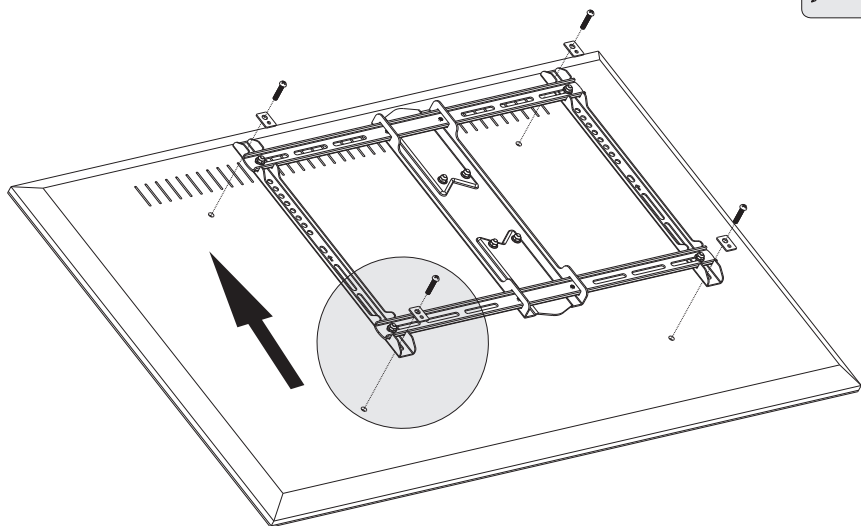


## 6. Installing the VESA Plate

6-1 For screens with a flat rear-panel



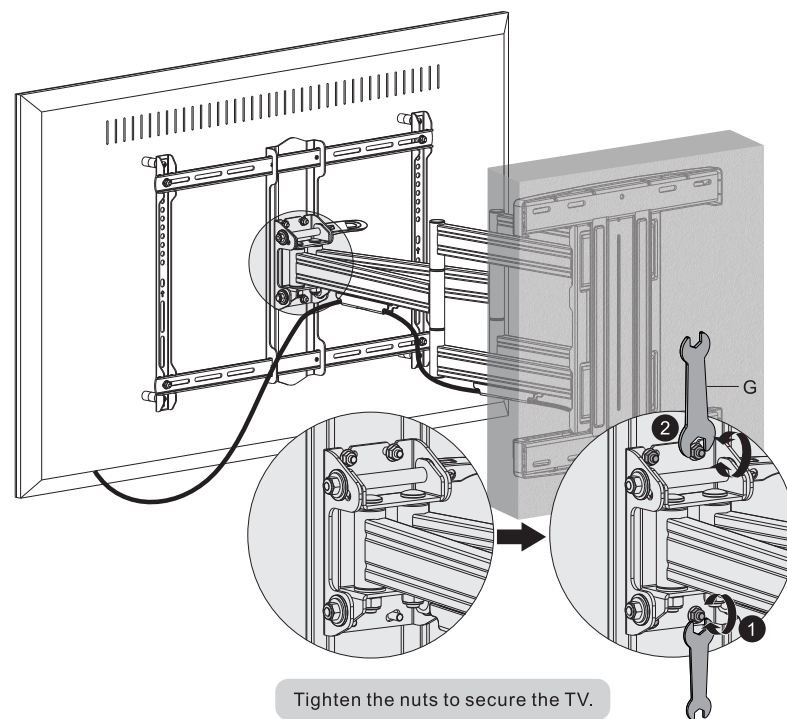
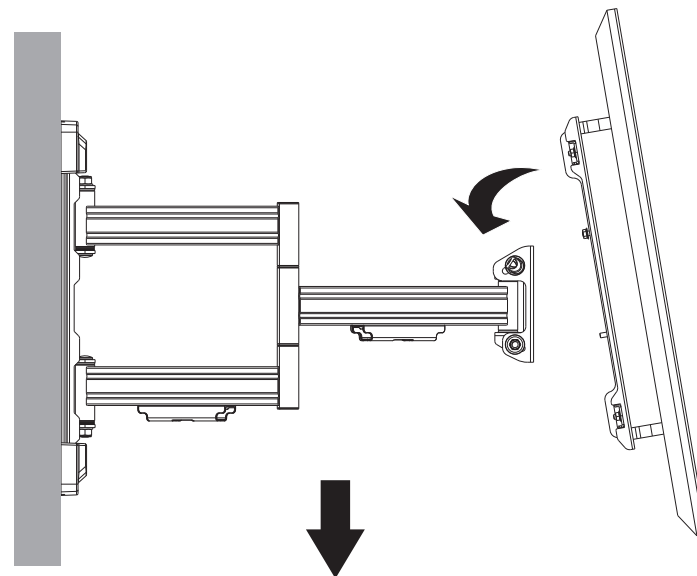
6-2 For screens with a curved or recessed rear-panel



**Note:** Choose the appropriate screws, washers and spacers (if necessary) according to the type of screen.

**Tighten all screws but do not over tighten.**

7. Hooking the TV onto the Wall Mount



Tighten the nuts to secure the TV.