

# Venturi

# VLM-3000

## ARTICULATED LCD WALL BRACKET

WALL MOUNT FOR LCD SCREENS WITH TILT,  
ADJUSTABLE REACH AND THREE PIVOT ARM.



### FEATURES

Enjoy the many benefits of mounting your flat panel screen on the wall. Ideal for both private homes and commercial premises alike.

Easy to install the VLM-3000 comes fully assembled. Complete with an elegant combination of three arms, which allow the screen to be viewed from any position. Tilt correction facility allows the screen to be accurately leveled.

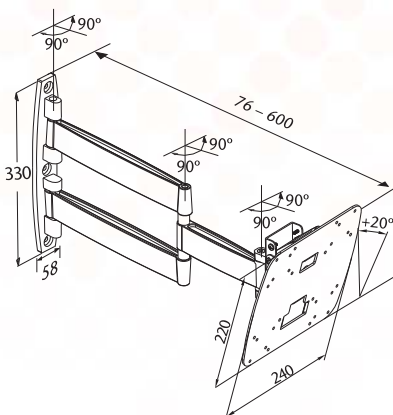
### STRONG AND ATTRACTIVE

Easily attaches to most 19" to 32" (48 to 81cm) LCD screens weighing up to 30kgs using the supplied hardware kit and without the need for special tools.

Heavy cast alloy construction is powder coated in an attractive silver or black finish. The unobtrusive design fits easily into any environment.

### QUALITY

The Venturi VLM-3000 Wall Bracket is made from quality materials and is covered by a five year warranty.



### PACKAGE INCLUDES:

Wall mount plate assembled with adjustable reach arms, tilting screen plate, quality mounting hardware and installation instructions.

### SPECIFICATIONS:

- Colour: Silver (VLM-3000S) or Black (VLM-3000B)
- Weight Capacity: 30kg max (screen weight)
- Suits: LCD Screens with VESA compliant hole patterns 100x100mm, 120x180mm, 200x100mm, 200x200mm.
- Reach Adjustment: Minimum 76mm to Maximum 600mm (wall to LCD)
- Retracted offset: 130mm
- Horizontal Pivot: 180°
- Tilt Range: 0° to +20° max
- Wall fasteners: 3 x wood and brick/concrete

