

## Curved Column Ceiling Mount For 30" to 50" Flat Panel Screens



The Curved Column Ceiling Mount delivers 20° of adjustable tilt and 360° of swivel making it a great mounting solution for sports arenas, airports, lobbies or retail environments. Theft-resistant security fasteners secure the screen to the mount. This mount is available in two models. The PLC models come with a ceiling plate. The PL models are sold without the ceiling plate for those who want to use an alternative ceiling attachment. Both models can be used with Peerless' fixed length extension columns or an adjustable length extension column when added length is needed.

- Up to 20° adjustable tilt
- 360° swivel action
- Theft-resistant Penta-pin™ security screws

PLC, PL

# Curved Column Ceiling Mount

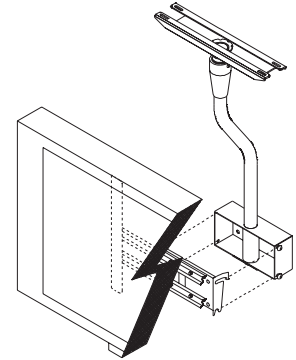
## For 30" to 50" Flat Panel Screens

### Model Numbers

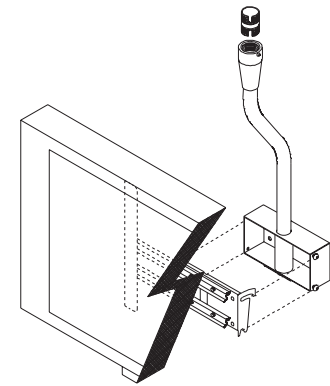
PLC, PL

### Product Specifications

- Heavy gauge cold rolled steel construction
- Scratch resistant black fused epoxy finish
- Up to 20° adjustable tilt
- 360° swivel tilt
- Theft-resistant Penta-pin™ security screws



PLC



PL

#### FEATURES

DEPTH  
WIDTH  
HEIGHT

1.3" (3.3 cm) from center of ceiling plate to adapter plate  
10.5" (26.67 cm)  
PLC: 32.5" (82.55 cm)  
PL: 31.5 (78.74 cm)

#### LOAD CAPACITY

PLC: Wood Stud: 300 lbs (136.07 kg)  
PLC: Concrete: 300 lbs (136.07 kg)  
PL: Refer to maximum load of ceiling bracket used

#### PRODUCT WEIGHT

PLC: 23.9 lbs (10.9 kg)  
PL: 21.5 lbs (9.8 kg)

#### FINISH

Scratch Resistant Fused Epoxy

#### AVAILABLE COLORS

Black

#### ACCESSORIES

Concrete Anchor Kit (ACC 210)  
Fixed Length Extension Columns (EXT models)  
Adjustable Length Extension Columns (ADJ models)

#### PATENTED

### Package Specifications

Mounting Hardware, Tilt Assembly, Ceiling Plate and Adapter Plate (included in kitted models)

#### PACKAGE CONTENTS

1

#### UNITS IN PACKAGE

#### PACKAGE SIZE

PLC: 31.75" (L) x 11.88" (W) x 3.75" (H) (806 x 302 x 95 cm)  
PL: 38" (L) x 11.88" (W) x 4.125" (H) (965 x 302 x 105 cm)

#### PACKAGE SHIP WEIGHT

PLC: 26 lbs (12 kg)  
PL: 24.2 lbs (11 kg)

#### PACKAGE UPC CODE

PLC: 735029214106  
PL: 735029209461

#### LIMITED 5-YR. WARRANTY

(800) 865-2112  
www.peerlessindustries.com

Peerless Industries, Inc.  
3215 W. North Avenue, Melrose Park, IL 60160  
(708) 865-8870 or (800) 865-2112 Fax: (708) 865-2941 www.peerlessindustries.com

© 2005 Peerless Industries, Inc. All rights reserved.  
Peerless is a registered trademark of Peerless Industries, Inc.



LIT-0114