



## Aluminum Interactive Counterbalance Monitor Arms



LDT10-C012  
Features Video



LDT10-C024  
Features Animation



Detachable VESA panel makes installation easier

**Vertical Adjustment**  
Gas Spring Assisted



Both grommet and desk clamp mounting available



Create a clean sleek look by concealing cables from sight



Built-in spring tension gauge adjusts for various arm weight loads



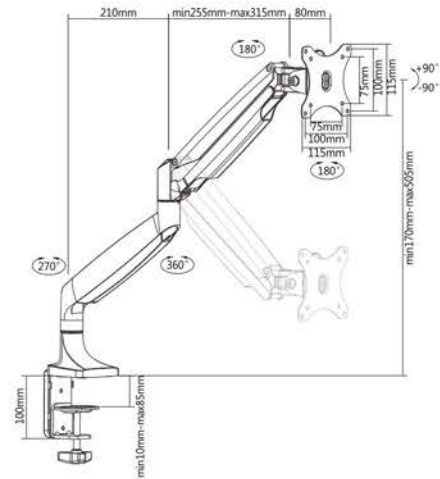
Added slots for holding tools in case of possible maintenance in future



Arm Extend: 525mm  
**EMA10-C12**

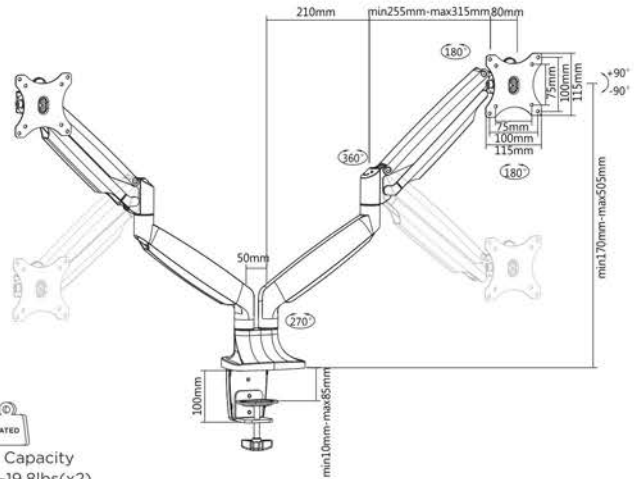
**RATED**  
Weight Capacity  
1-9kg/2.2-19.8lbs

Compliant test to  
**ANSI/BIFMA** mechanical safety  
and performance standards.



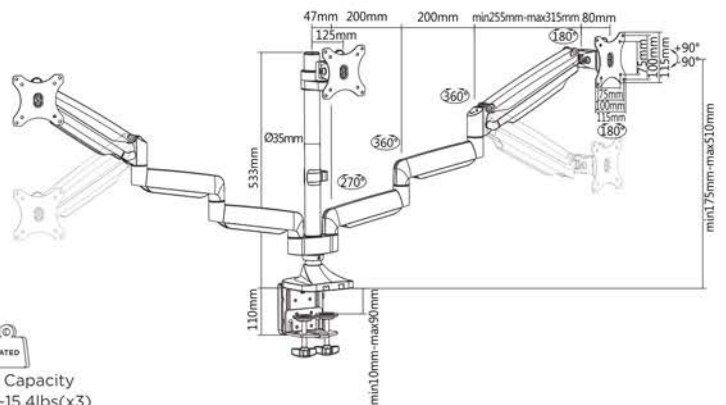
Arm Extend: 525mm  
**EMA10-C24**

**RATED**  
Weight Capacity  
1-9kg/2.2-19.8lbs(x2)



Arm Extend: 715mm  
**EMA10-C36**

**RATED**  
Weight Capacity  
1-7kg/2.2-15.4lbs(x3)



Screen Size  
13"-32"



Tilt Range  
+90°--90°



Swivel Range  
+90°--90°



Screen Rotation  
180°



VESA Compatible  
75x75 100x100



Curved Monitor



Cable Management

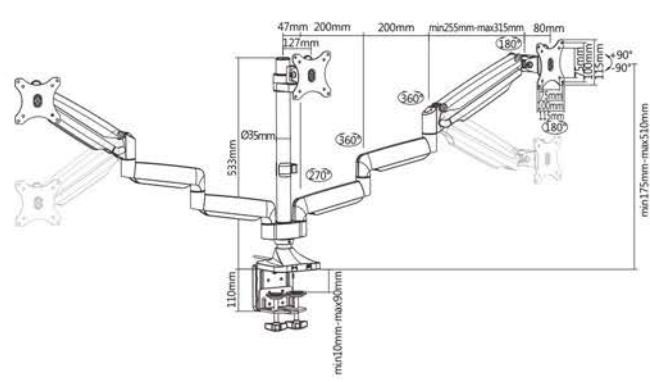
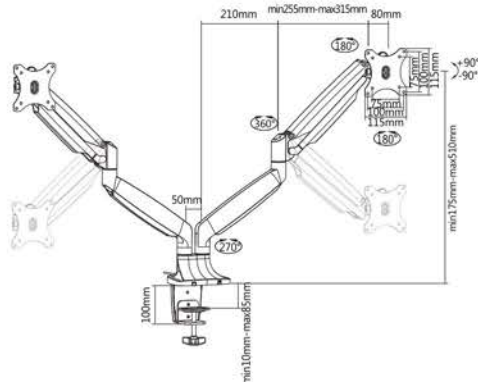
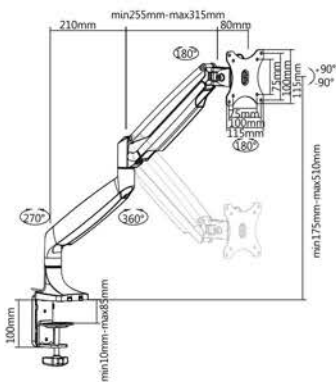
# Aluminum Interactive Counterbalance Monitor Arms

# Ergovida



## 3.0 USB Port and Audio Port on Base of the Mount

convenient for supporting data transfer, charging, headphones, and microphone.



- Screen Size 13"-32"
- Tilt Range +90°--90°
- Swivel Range +90°--90°
- Screen Rotation 180°
- VESA Compatible 75x75 100x100
- Curved Monitor
- Cable Management